



Western Weatherseal

COMMERCIAL/RESIDENTIAL SILLS & WEATHER STRIPPING

**ADJUSTABLE • FIXED
MILL, BRONZE • ADA COMPLIANT
MADE IN THE USA**

800-687-1000
903-758-5202 • FAX 800-813-2126

205 W. Old U.S. HWY 80, White Oak, TX 75693
P.O. Box 37, White Oak, Texas 75693

CONTENTS

Residential Products

| | |
|---|-------|
| General Product Information - Residential | 3 |
| Fixed Aluminum Sills | 4 |
| Saddle Handicap Thresholds | 5-6 |
| Hardwood Floor/Carpet Thresholds..... | 7 |
| Tile Thresholds..... | 8-9 |
| Vinyl Cap Sills - Thermal Barrier..... | 10 |
| Hi-Dam Vinyl Cap Sills -Thermal Barrier | 11 |
| Outswing Bump Sill..... | 12 |
| Adjustable Aluminum Cap Sills | 13 |
| Adjustable Hardwood Cap Sills | 14 |
| Adjustable Hardwood Cap & Nose Hi-Dam Sills | 15 |
| Adjustable Hardwood Cap & Nose Sills..... | 16-17 |
| Patio Sills With Screen Track | 18 |
| Extensions and Adaptors..... | 19 |
| Flush Bolts..... | 20 |
| Compression Weatherstrip | 21 |
| Magnetic Weatherstrip..... | 22 |
| Door Bottom Sweeps | 23 |
| Foam End Sill Gaskets..... | 24 |
| Sill Cover | 25 |
| PVC Snap On Sill Cover | 26 |
| By Pass Door Track | 27 |

Commercial Products

| | |
|--|-------|
| General Product Information - Commercial | 29 |
| Panic Thresholds..... | 30 |
| ADA Compliant Saddle Thresholds | 31-33 |
| Hardwood Floor/Carpet Thresholds..... | 34 |
| Handicap Tile Thresholds | 35 |
| Bump Sills | 36 |
| Jamb Weatherstrip..... | 37 |
| Smoke Gasket..... | 38 |
| Astragals..... | 39-40 |
| Drip Caps..... | 41 |
| Door Bottom Sweeps | 42-43 |
| Automatic Door Bottoms | 44-45 |

| | |
|---|-----------|
| Index of Products by Product Number..... | 46 |
|---|-----------|

P.O. Box 37
Longview, Texas 75606-37

(800) 687-1000
903-758-5202 • Fax: 800-813-2126

GENERAL PRODUCT INFORMATION— RESIDENTIAL

Use Western Weatherseal part numbers when **placing ORDERS**. To insure correct shipments, written confirmation is required. Fax Number is 800-813-2126.

Orders are shipped on a first in, first out basis. **LEAD TIME** for residential orders is 7 working days or less. **Special freight arrangements are available at customer expense.**

FREIGHT is prepaid on orders over \$1,750 net. All shipments are FOB White Oak, TX.

TERMS OF SALE are 1% - 10 days, Net - 30 days. A 1.5% service charge will be applied to past due balances.

AUTHORIZATION FOR RETURNS must be approved in writing prior to return. Discrepancies must be brought to the attention of customer service within ten days of receipt so corrective action may be taken. Phone: 800-687-1000.

DAMAGE CLAIMS should be made to the appropriate freight carrier.

SPECIAL REQUIREMENTS:

Specify **CUSTOM CUT-LENGTHS** at time of order.

Saddle thresholds may be **DIMPLED** upon request.

Hands-on **CUSTOMER SERVICE REPRESENTATIVES** are available for specific needs.

COLOR DESIGNATIONS (Mill Finish if not specified)

| | |
|----|-----------------|
| A | Mill Finish |
| BR | Bronze(Painted) |

DRAWINGS IN THIS CATALOG ARE NOT TO SCALE AND MAY NOT BE EXACT

Please request a drawing for exact specifications

Substrate is yellow pine.

Treated Substrate available upon request.

Hardwood Cap and Nose.

WE GLADLY ACCEPT

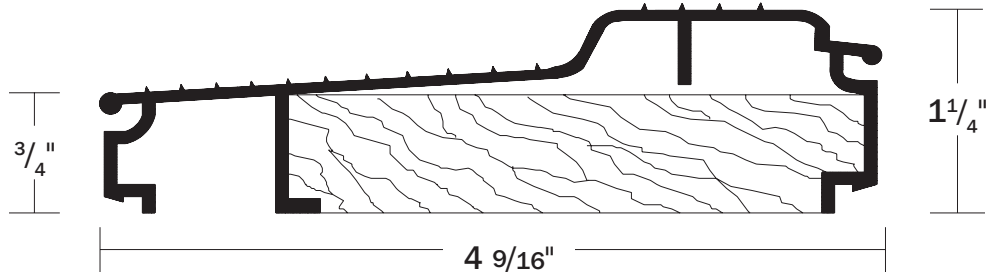


205 W. Old US HWY 80
White Oak, Texas 75693

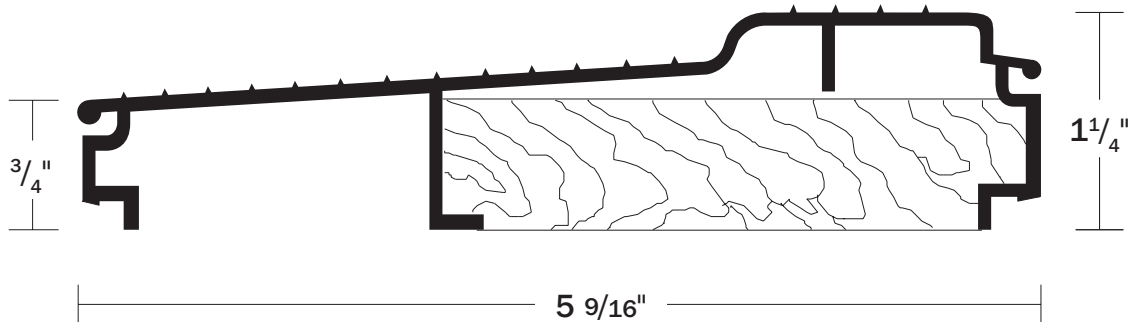
(800) 687-1000
903-758-5202 · Fax: 800-813-2126

FIXED ALUMINUM SILLS

WM01 (4 ⁹/₁₆ ")



WM02 (5 ⁹/₁₆ ")

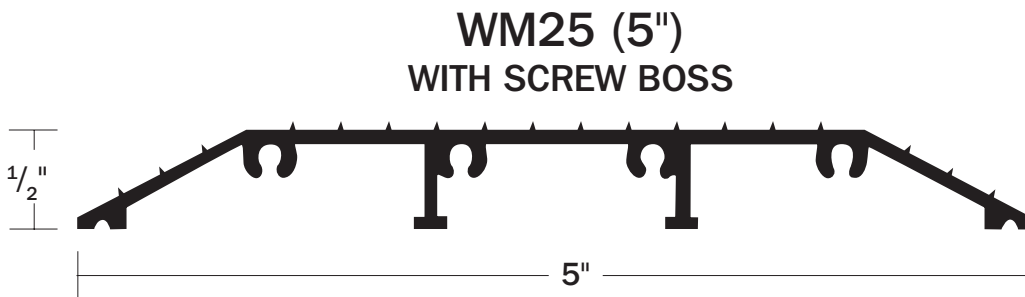
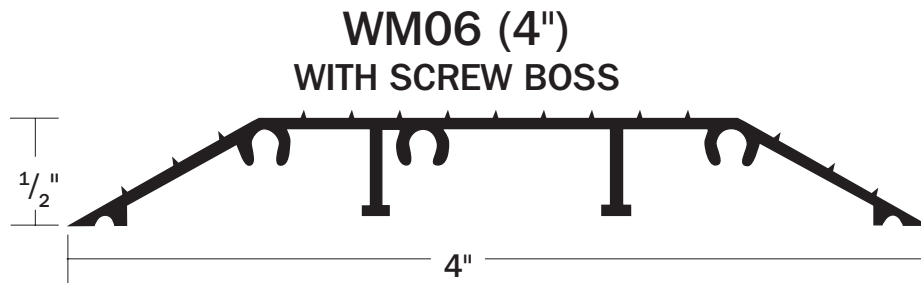
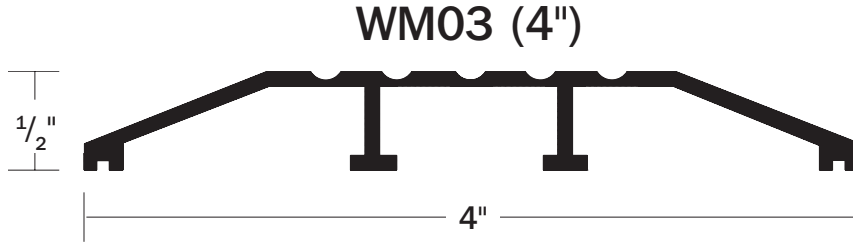


- *Aluminum exterior construction.*
- *Fully extendable for inswing & outswing.*
- *Full wood substrate for easy installation.*
- *High profile reduces the need to recut jambs.*

P.O. Box 3819
Longview, Texas
Xas 75606-3819

(800) 687-1000
903-758-5202 • Fax: 800-813-2126

SADDLE HANDICAP THRESHOLDS



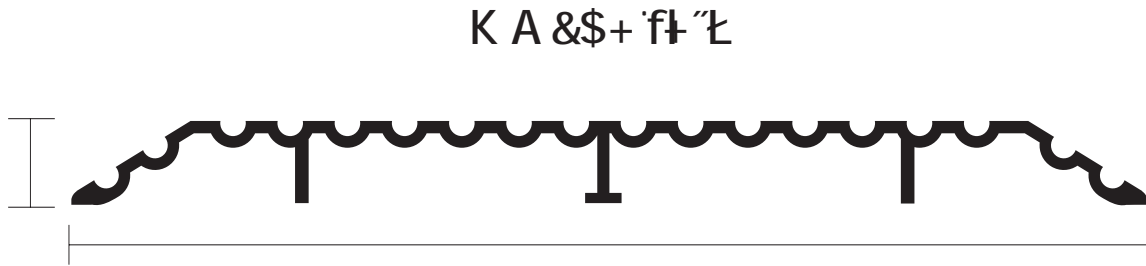
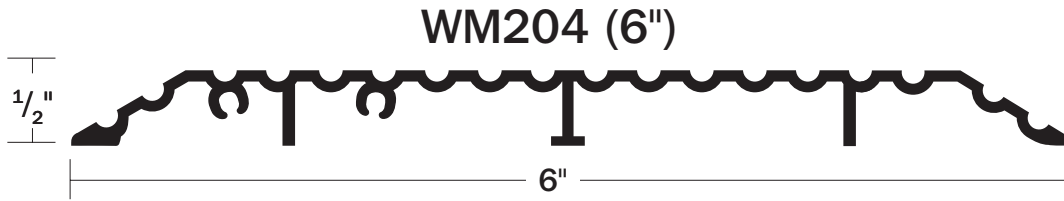
- All aluminum construction.

SPECIFY:
NOTCHING
DIMPLES

SADDLE HANDICAP THRESHOLDS



P.O. Box 3819
Longview, Texas 75606-37

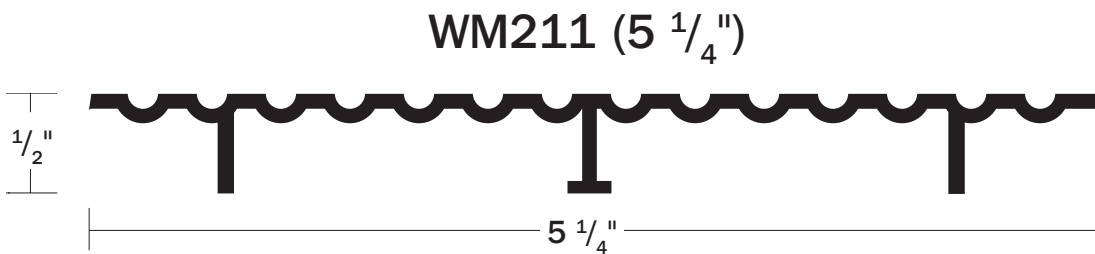
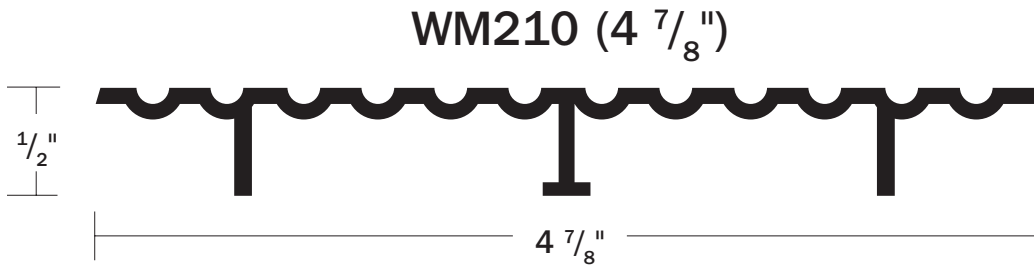
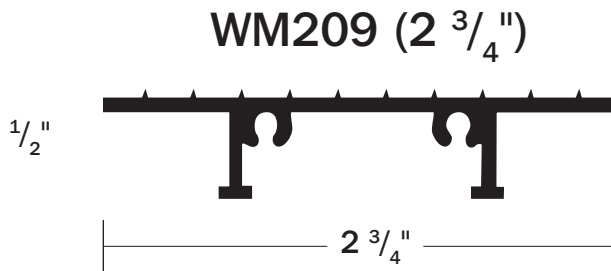
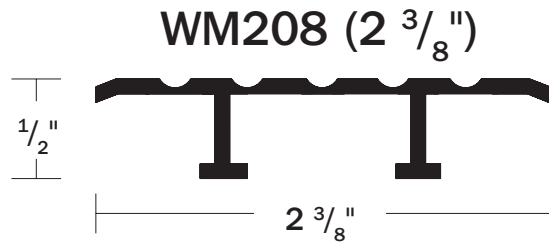


- All aluminum construction.

GD97 ÷ M
 · BCH7 < B;
 · 8-A D@9G

(800) 687-1000
903-758-5202 • Fax: 800-813-2126

HARDWOOD FLOOR/CARPET THRESHOLDS



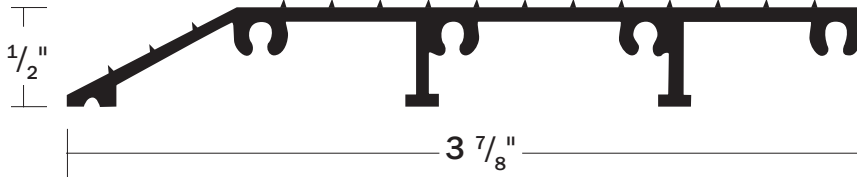
- All aluminum construction
- Cut to customer specifications

SPECIFY:
NOTCHING
DIMPLES

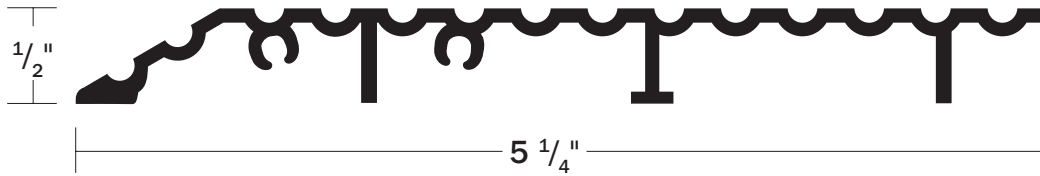
TILE THRESHOLDS



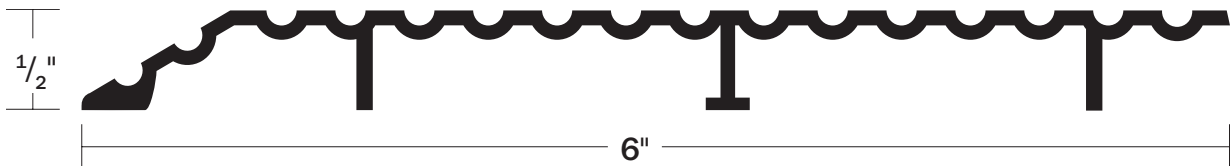
WM215 (3 7/8")
WITH SCREW BOSS



WM216 (5 1/4")



WM218 (6")



• *Cut to customer specifications*

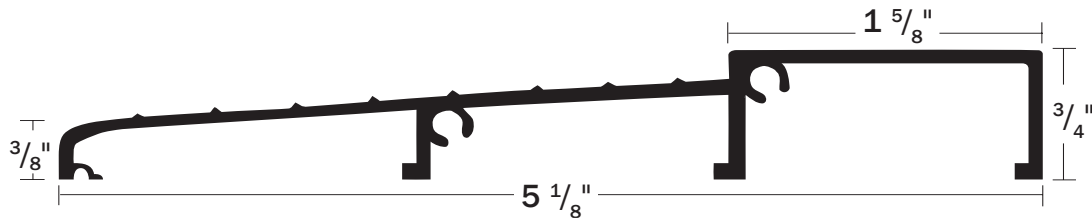
SPECIFY:
NOTCHING
DIMPLES

(800) 687-1000
903-758-5202 • Fax: 800-813-2126

WM04 (4")
WITH SCREW BOSS



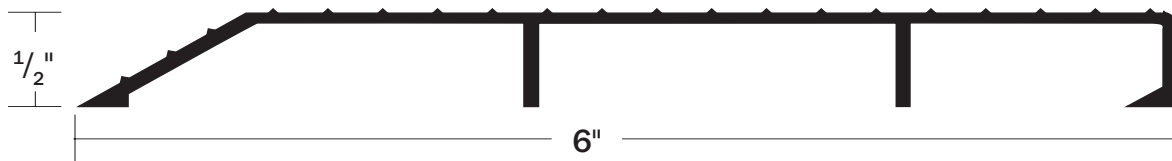
WM09 (5 1/8")
WITH SCREW BOSS



WM14 (5")
WITH SCREW BOSS



WM15 (6")

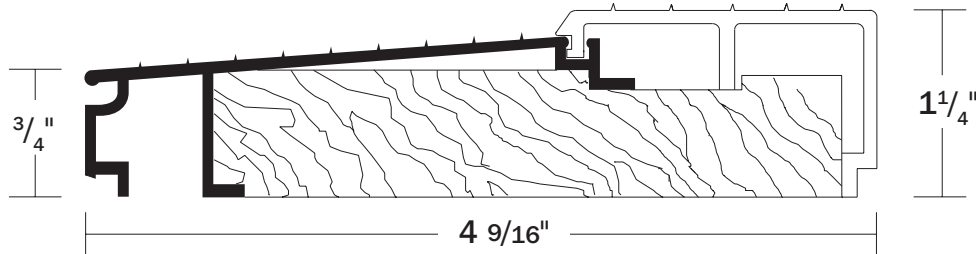


205 W. Old US HWY 80
White Oak, Texas 75693

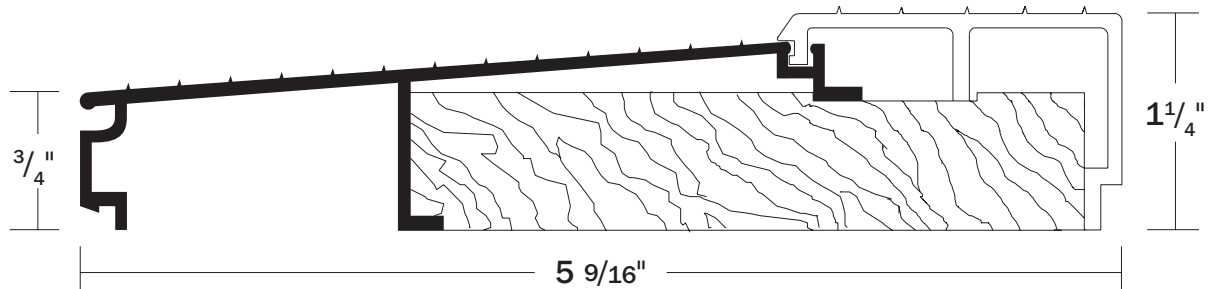
(800) 687-1000
903-758-5202 • Fax: 800-813-2126

VINYL CAP SILLS—THERMAL BARRIER

WM10* (4 9/16")



WM11* (5 9/16")



**AVAILABLE WITH BROWN VINYL*

- *Exterior extendable.*
- *Wood substrate for easy installation.*

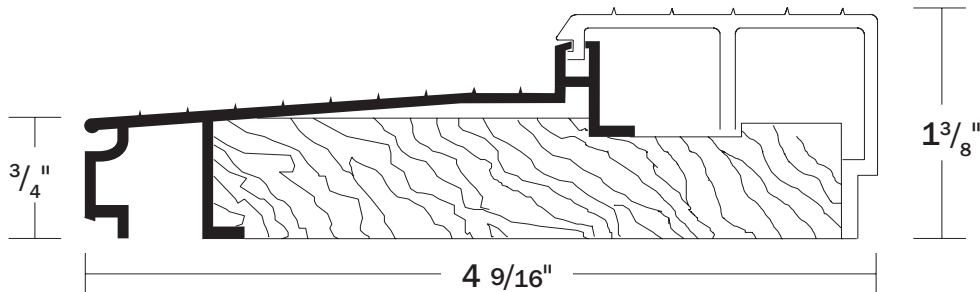
**TREATED SUBSTRATE AVAILABLE*

P.O. Box 3819
Longview, Texas 75606-3819

(800) 687-1000
903-758-5202 • Fax: 800-813-2126

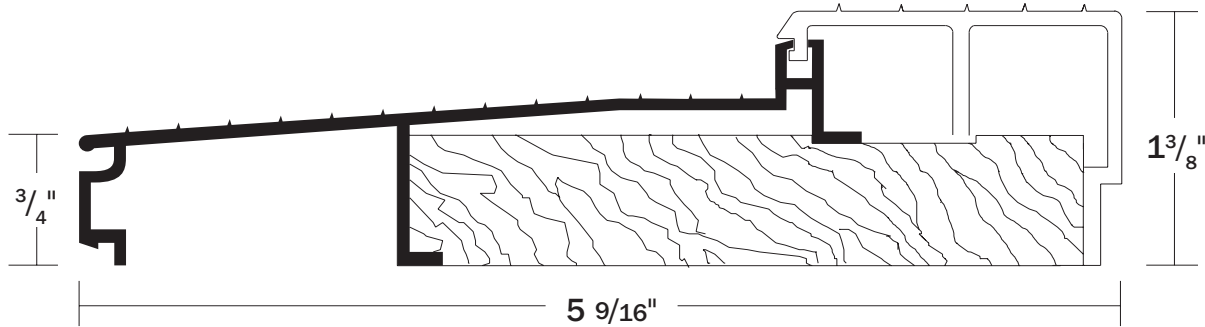
HI-DAM VINYL CAP SILLS THERMAL BARRIER

WM12* (4 9/16")



*Available with 4-6 week lead time.

WM13* (5 9/16")



*Available with 4-6 week lead time.

***AVAILABLE WITH BROWN VINYL**

- Exterior extendable.
- Wood substrate for easy installation.

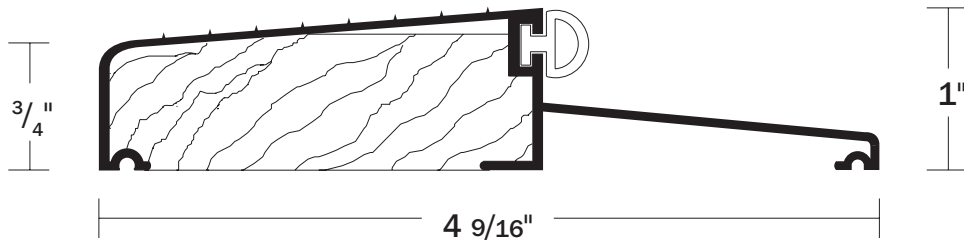
***TREATED SUBSTRATE AVAILABLE**

205 W. Old US HWY 80
White Oak, Texas 75693

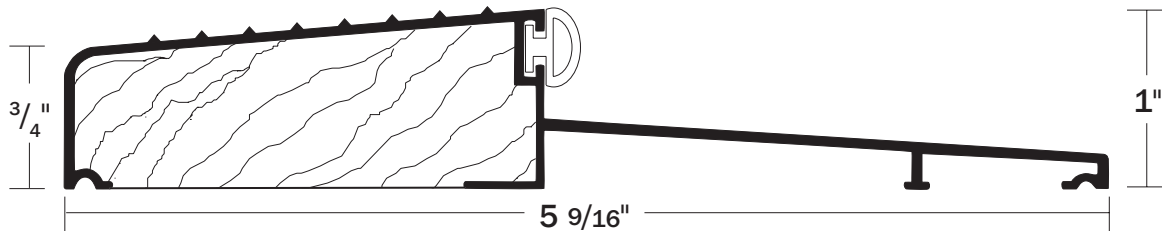
(800) 687-1000
903-758-5202 • Fax: 800-813-2126

OUTSWING BUMP SILL

WM16* (4 ⁹/₁₆")



WM18* (5 ⁹/₁₆")



**Vinyl bulb seal available in black or gray.*

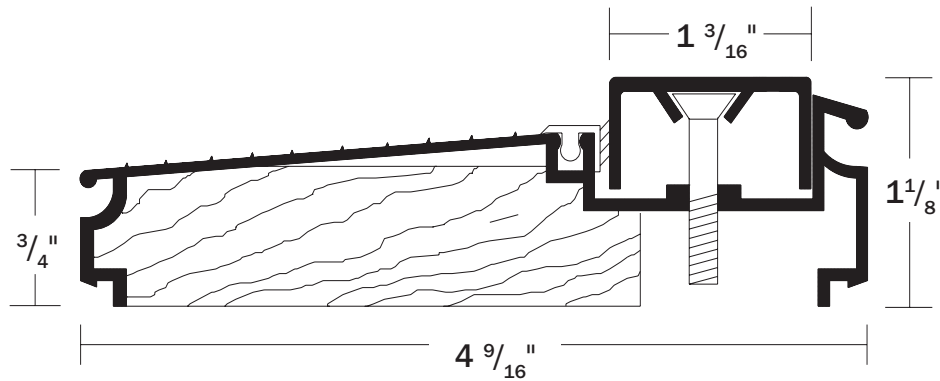
- *Wood substrate for easy installation.*

P.O. Box 3819
Longview, Texas 75606-3819

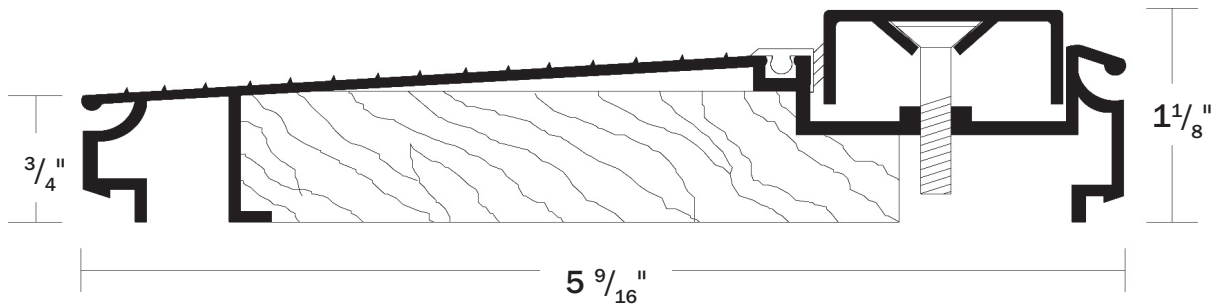
(800) 687-1000
903-758-5202 • Fax: 800-813-2126

ADJUSTABLE ALUMINUM CAP SILLS

WM36 (4 9/16")



WM40 (5 9/16")



- Adjusts to a height of 1 3/8".
- Fully extendable for inswing & outswing.
- Wood substrate for easy installation.
- Compatible with Spanrite jambs.

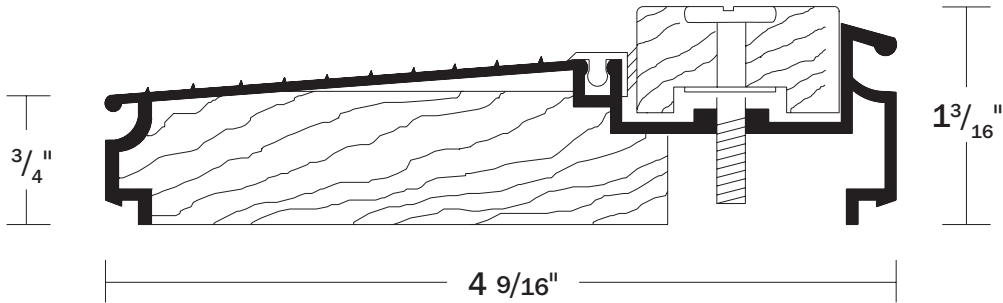
205 W. Old US HWY 80
White Oak, Texas 75693

(800) 687-1000
903-758-5202 • Fax: 800-813-2126

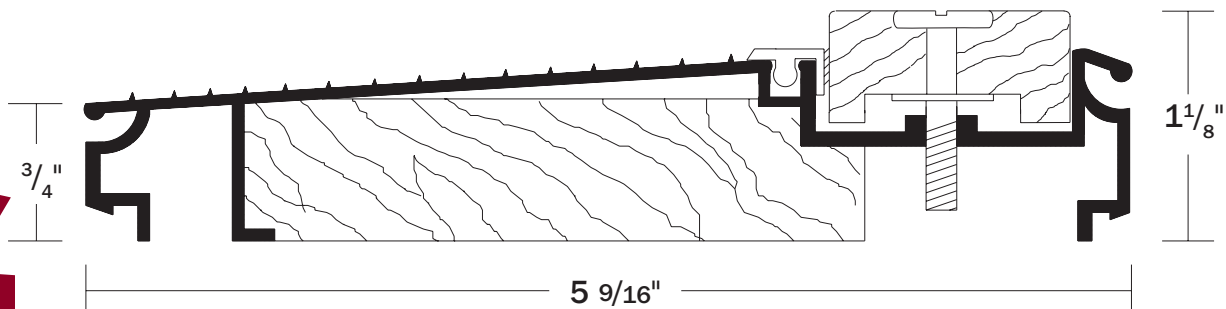
ADJUSTABLE HARDWOOD CAP SILLS

P.O. Box 3819
Longview, Texas 75606-3819

WM37* (4 9/16")



WM41* (5 9/16")



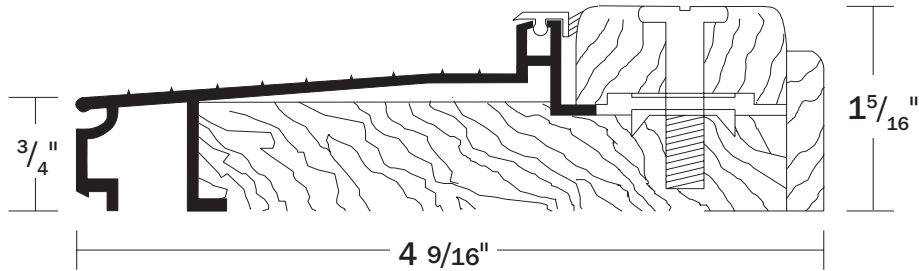
***Hardwood Cap**

- Adjusts to a height of 1 1/2"
- Fully extendable for inswing & outswing
- Wood substrate for easy installation

(800) 687-1000
903-758-5202 • Fax: 800-813-2126

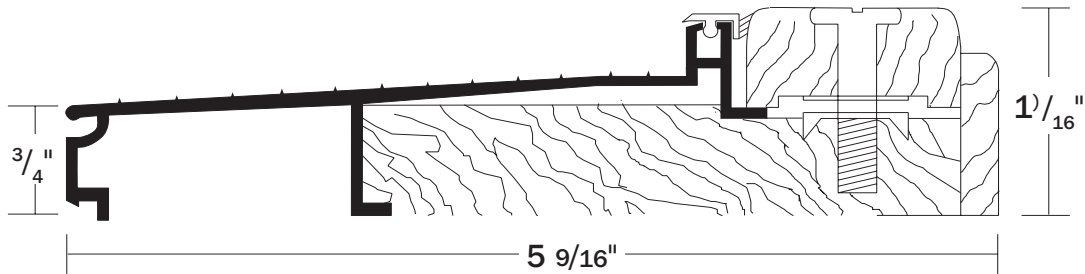
ADJUSTABLE HARDWOOD CAP & NOSE HI-DAM SILLS

WM42* (4 9/16")



*Available with 4-6 week lead time.

WM43* (5 9/16")



*Available with 4-6 week lead time.

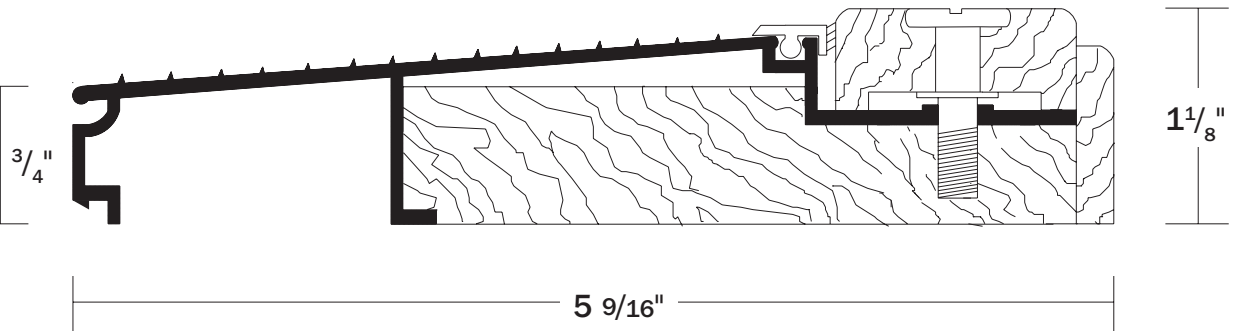
**Hardwood Cap & Nose*

- *Adjusts to a height of 1 1/2"*
- *Exterior extendable*
- *Wood substrate for easy installation*

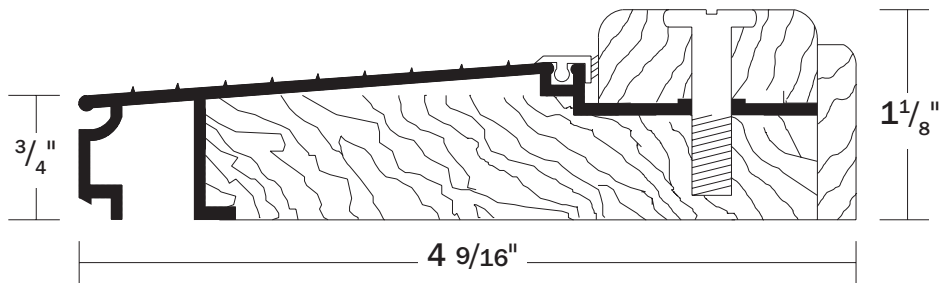
ADJUSTABLE HARDWOOD CAP & NOSE SILLS

P.O. Box 3819
Longview, Texas 75606-3819

WM44* (5 ⁹/₁₆")



WM45* (4 ⁹/₁₆")



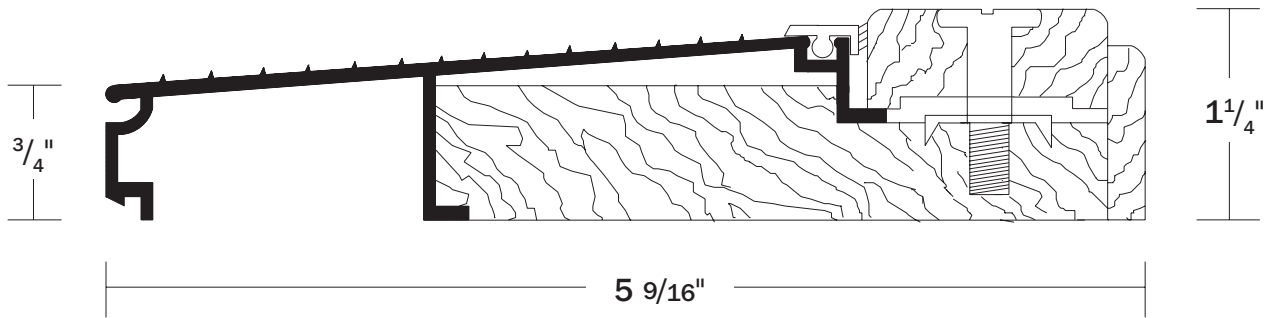
**Hardwood Cap & Nose*

- *Adjusts to a height of 1 ⁵/₁₆"*
 - *Exterior extendable*
- *Wood substrate for easy installation*
- *Can be notched for mull*

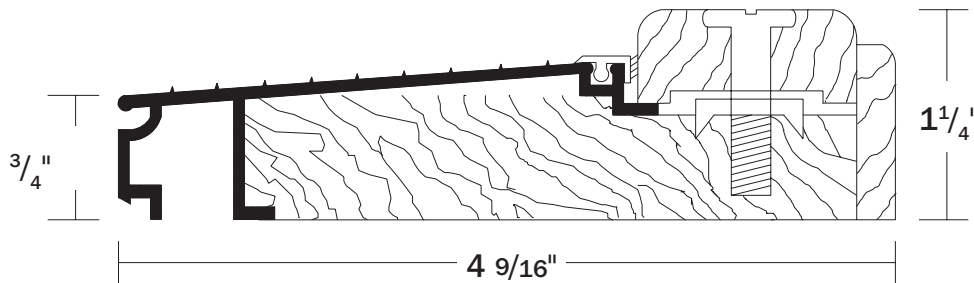
(800) 687-1000
903-758-5202 • Fax: 800-813-2126

ADJUSTABLE HARDWOOD CAP & NOSE SILLS

WM46* (5 ⁹/₁₆")



WM47* (4 ⁹/₁₆")



- *Hardwood Cap & Nose*
- *Adjusts to a height of 1 ³/₈"*
 - *Exterior extendable*
 - *Wood substrate for easy installation*
 - *Can be notched for mull*

205 W. Old US HWY 80
White Oak, Texas 75693

(800) 687-1000
903-758-5202 • Fax: 800-813-2126

PATIO SILLS WITH SCREEN TRACK

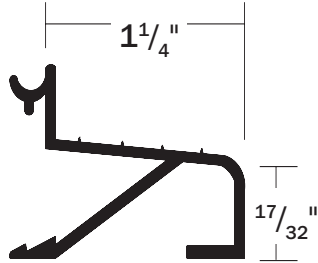
P.O. Box 37
Longview, Texas 75606-37

(800) 687-1000
903-758-5202 • Fax: 800-813-2126

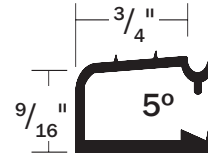
- *Hardwood Cap & Nose*
- Adjusts to a height of 1 ³/₈ "*
- **Only available in Brown*
- Wood substrate for easy installation*
- Screen rail can be milled for drainage*
 - Can be notched for mull*

EXTENSIONS

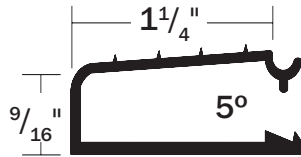
WM61
1 1/4" OUTSWING ADAPTER



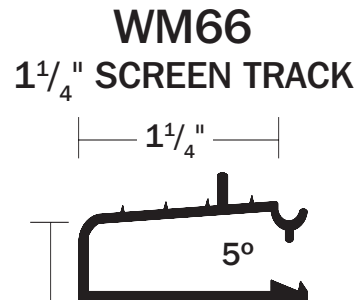
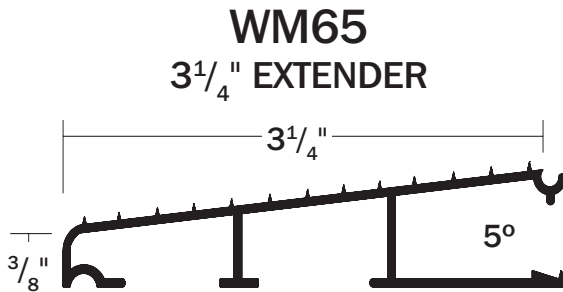
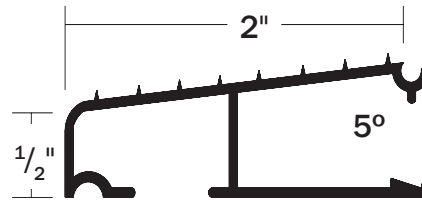
WM62
3/4" EXTENDER



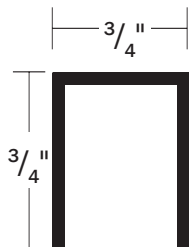
WM63
1 1/4" EXTENDER



WM64
2" EXTENDER



WM67
3/4" U-CHANNEL FOR
TOP SCREEN CHANNEL



• Extensions are designed to fit Western Weatherseal extendable sills.

FLUSH BOLTS

FB
FLUSH BOLT



ULFB 634
FANCY BOLT



| | |
|---------------|---------------------------------------|
| FBG6-US26 | 7" Bright Chrome Plated Flush Bolt |
| FBG6-US26D | 7" Satin Chrome Plated Flush Bolt |
| FBG6-US3 | 7" Bright Brass Flush Bolt |
| FBG-EX12 | 7 3/8" Bright Brass Flush Bolt |
| ULFB634-US26D | 6 3/4" Satin Chrome Plated Flush Bolt |

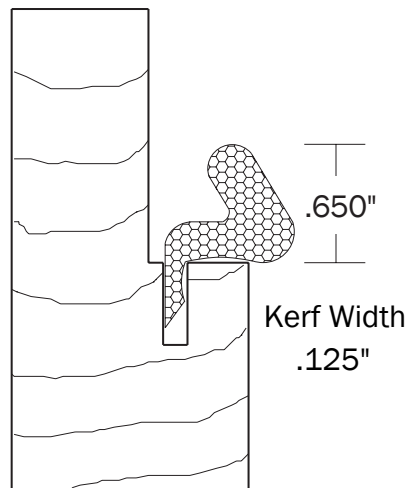
**ALL FLUSH BOLTS ARE INDIVIDUALLY BAGGED
WITH SCREWS AND STRIKE PLATE.**

P.O. Box 37
Longview, Texas 75606-37

(800) 687-1000
903-758-5202 • Fax: 800-813-2126

COMPRESSION WEATHERSTRIP

WS651 (97") & WS652 (82")



- *Low friction, UV stabilized polyethylene cover for paint and wear resistance.*
- *Flexible low density foam core for positive sealing, low compression set and minimal door closure force.*
 - *Rigid PVC spline for easier kerf insertion and quicker installation time.*
- *Fire rated by Warnock-Hersey for 1¹/₂ hours on steel frames and 20 minutes on wood frames.*
 - *Meets ASTM E-331 water penetration and ASTM E-283 air infiltration requirements.*
- *Specially formulated polyurethane foam core for excellent sealing characteristics and low compression set at all temperatures.*

COLORS:

BRONZE (BZ)
WHITE (WH)
BEIGE (BG)

LENGTHS: 82" & 97"

CARTON QUANTITIES:

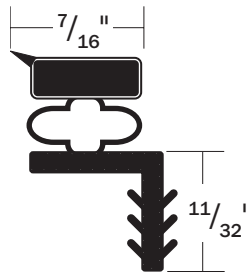
150 PCS/BOX—82"
125 PCS/BOX—97"

205 W. Old US HWY 80
White Oak, Texas 75693

(800) 687-1000
903-758-5202 • Fax: 800-813-2126

MAGNETIC WEATHERSTRIP

WS655 MAGNETIC WEATHERSTRIP 81" & 97" BRONZE & BEIGE



CARTON QUANTITIES:

120 PCS/BOX—82"
100 PCS/BOX—97"

- *Dual durometer extrusion provides a flexible contact area for a tight seal and a rigid stem for easy and secure installation.*
 - *Minimum reach $\frac{5}{16}$ " with a minimum of $\frac{1}{2}$ " .*
- *Permanent magnetic strip reaches out to seal the header and strike side of a steel door.*
 - *Flexible bellow adjusts for minor spacing variations.*
- *TPE material is UV stabilized and will not soften or stick to painted surfaces. You get reliable, air and water tight seal that lasts.*

P.O. Box 37
Longview, Texas 75606-3819

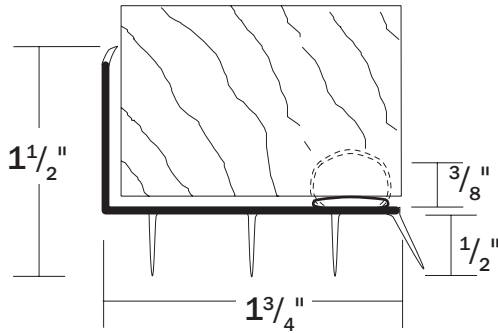
(800) 687-1000
903-758-5202 • Fax: 800-813-2126

DOOR BOTTOM SWEEPS

V-SW626

35 ¹¹/₁₆"

ADJUSTABLE VINYL
"L" SHAPED SWEEP

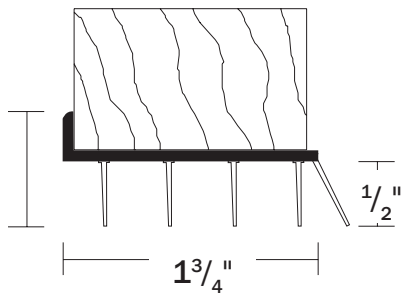


JIGK * &

1 * "

: ± 98 J B M

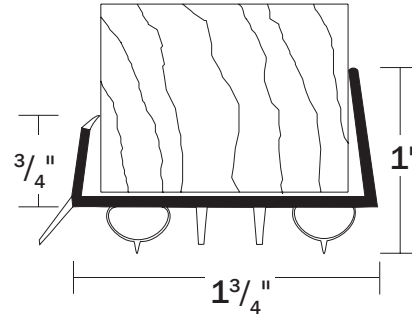
B5 @ CB



V-SW627

36"

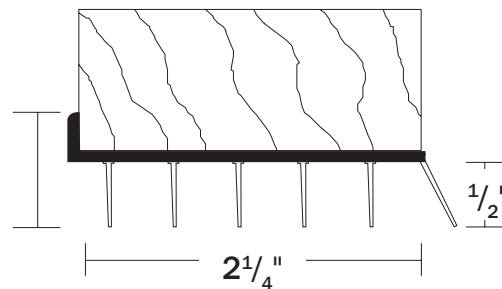
ADJUSTABLE VINYL
"U" SHAPED SWEEP



V-SW630

48"

FIXED VINYL
NAIL ON



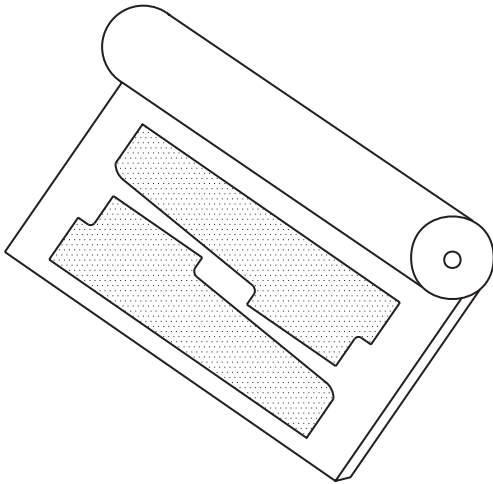
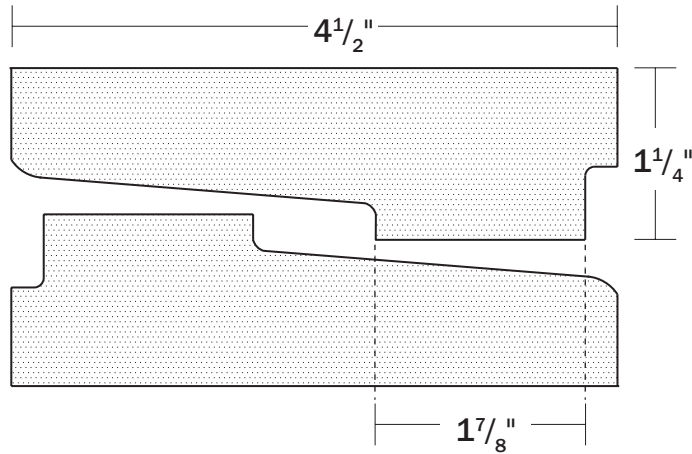
- Dual durometer PVC.
- Flexible fins insure tight seal.
- Rigid base simplifies installation.
- For use with adjustable thresholds.
- Fastened with staples, nails or screws.
 - Fits tight on door.
- Outer fin serves as drip cap.

205 W. Old US HWY 80
White Oak, Texas 75693

(800) 687-1000
903-758-5202 • Fax: 800-813-2126

FOAM END SILL GASKETS

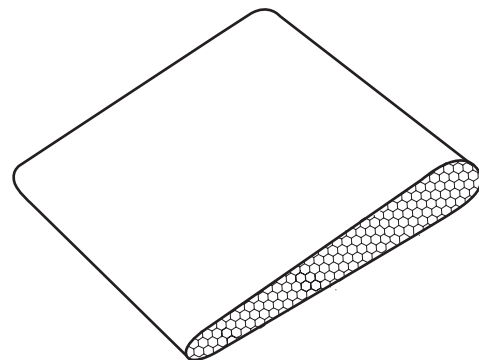
FES



- *Open pore polyfoam.*
- *Self-adhesive.*
- *Helps eliminate need for extra caulk.*
 - $1\frac{1}{4}$ " x $4\frac{1}{2}$ "
- *Approximately 500 pair/roll.*

Q-Lon Corner Seal

- *Modified cellular foam in embossed polyethylene*
 - *White or Brown*
 - *Self-adhesive*
 - $1\frac{1}{2}$ "

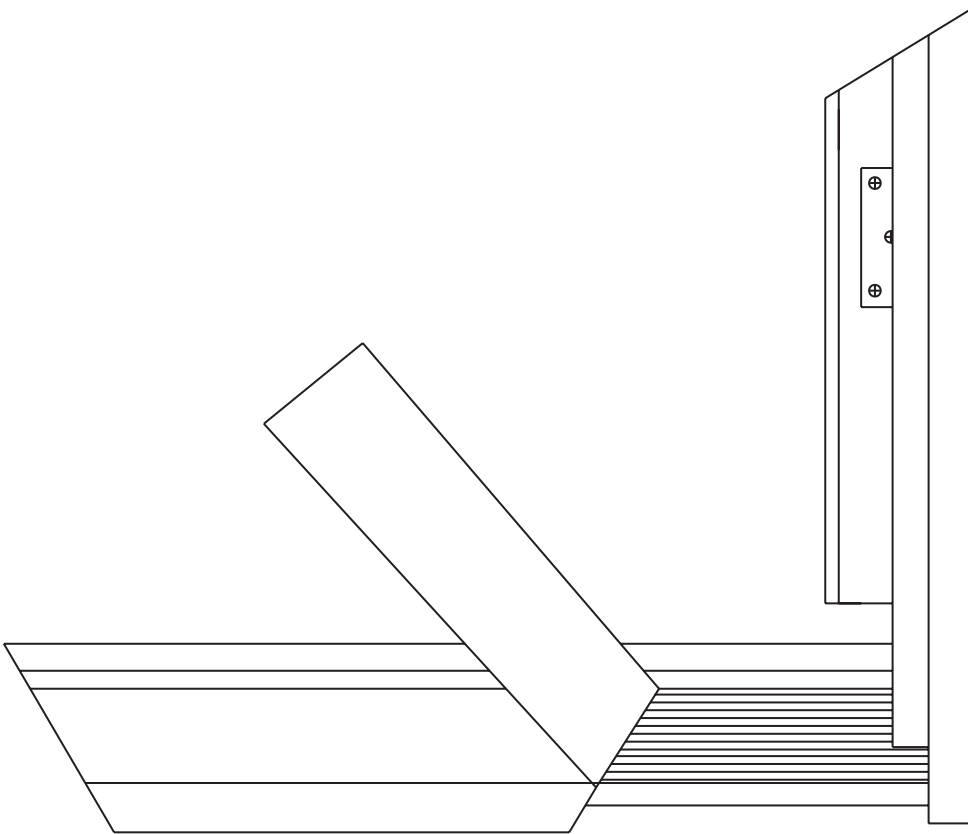


P.O. Box 3819
Longview, Texas 75606-37

(800) 687-1000
903-758-5202 • Fax: 800-813-2126

SILL COVER

PVC TAPE SILL COVER AVAILABLE ON ALL SILLS

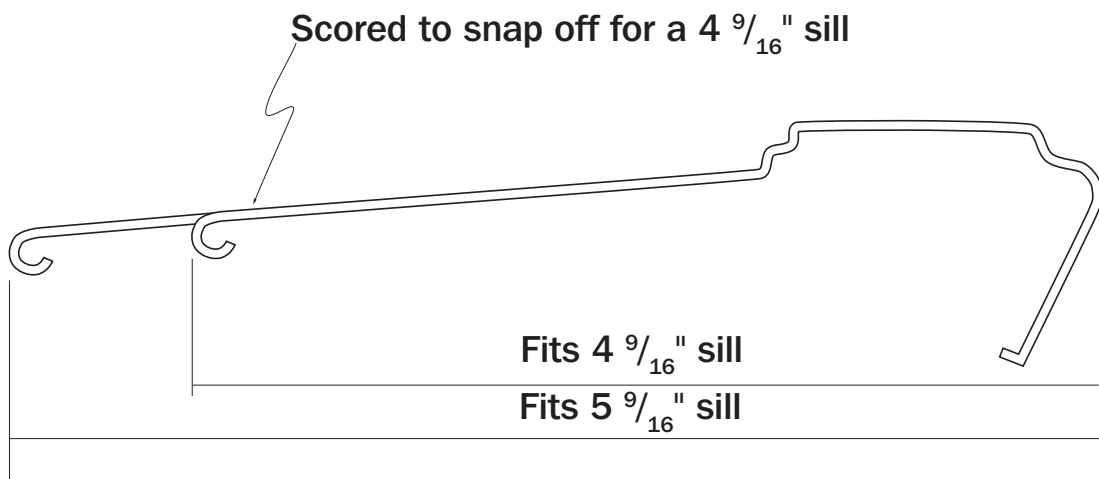


- Durable blue PVC tape.
- Protects most sills & thresholds.
 - Easy to apply & remove.
 - Leaves no sticky residue.
 - 2" covers cap standard
- 4" partial coverage available
- 6" full coverage available

PVC SNAP ON SILL COVER

Longview, Texas 75606-37

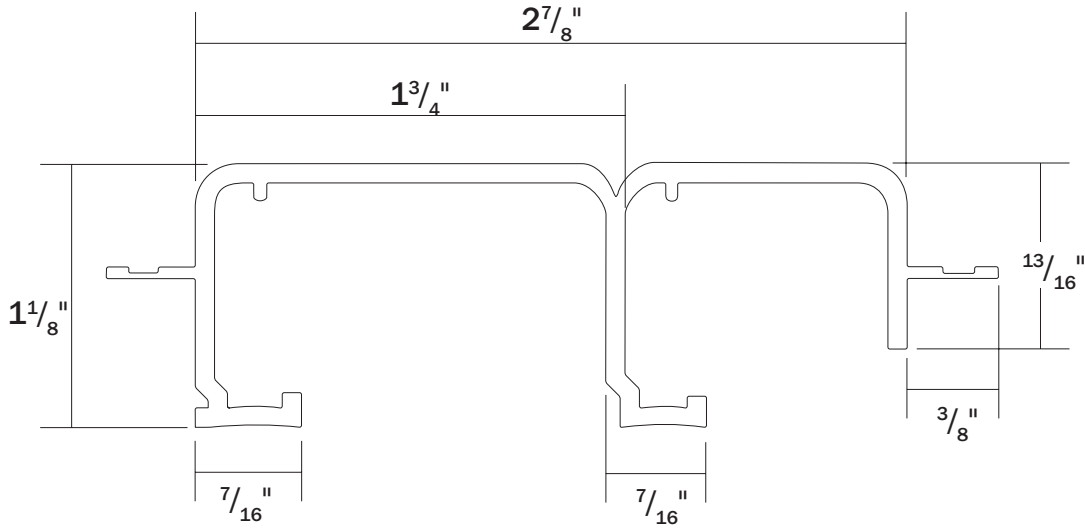
P.O. Box 3819



- Fits all adjustable sills and outswing bumb-sills
- Designed to snap-on not slide on.

(800) 687-1000
903-758-5202 • Fax: 800-813-2126

BY-PASS DOOR TRACK



205 W. Old US HWY 80
White Oak, Texas 75693

(800) 687-1000
903-758-5202 • Fax: 800-813-2126

This Page Is Intentionally Left Blank.

P.O. Box 37
Longview, Texas 75606-37

(800) 687-1000
903-758-5202 • Fax: 800-813-2126

GENERAL PRODUCT INFORMATION— COMMERCIAL

Use Western Weatherseal part numbers when placing **ORDERS**. To insure correct shipments, written confirmation is required. Fax Number is 800-813-2126. Cross reference information is available.

Orders are shipped on a first in, first out basis. **LEAD TIME** for commercial orders is 5 working days or less. **Special freight arrangements are available at customer expense.**

FREIGHT is prepaid on orders over \$1000 net. All shipments are FOB White Oak, TX.

TERMS OF SALE are 1% - 10 days, Net - 30 days. A 1.5% service charge will be applied to past due balances.

AUTHORIZATION FOR RETURNS must be approved in writing prior to return. Discrepancies must be brought to the attention of customer service within ten days of receipt so corrective action may be taken. Phone: 800-687-1000.

DAMAGE CLAIMS should be made to the appropriate freight carrier.

SPECIAL REQUIREMENTS:

Specify **CUSTOM CUT-LENGTHS** at time of order.

Saddle thresholds are **DIMPLED** unless otherwise specified.

Hands-on **CUSTOMER SERVICE REPRESENTATIVES** are available for specific needs.

DRAWINGS IN THIS CATALOG ARE NOT TO SCALE AND MAY NOT BE EXACT
Please request a drawing for exact specifications

Colors Available:

| | |
|----|-----------------|
| A | Mill Finish |
| BR | Bronze(Painted) |

Commercial products are delivered **INDIVIDUALLY BAGGED** with **SCREWS** and labels unless otherwise specified.

*Custom sills built to customer specifications upon request.

WE GLADLY ACCEPT

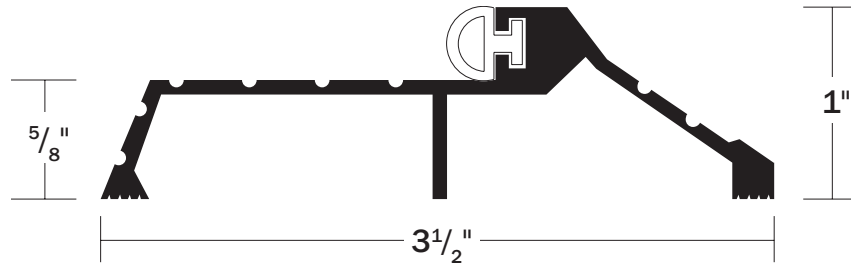


205 W. Old US HWY 80
White Oak, Texas 75693

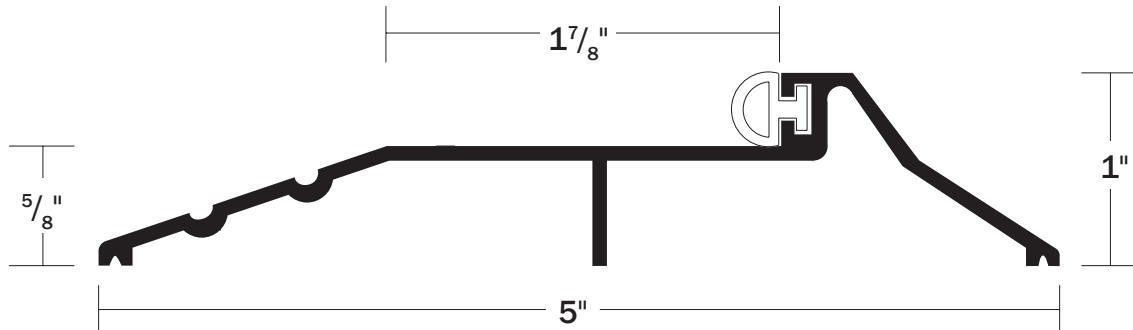
(800) 687-1000
903-758-5202 • Fax: 800-813-2126

PANIC THRESHOLDS

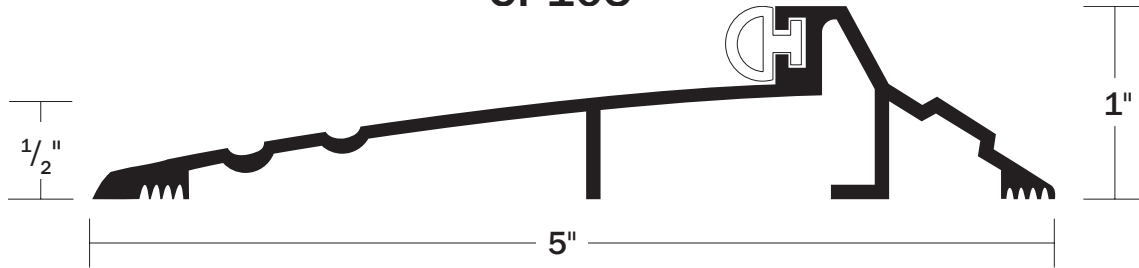
CP101



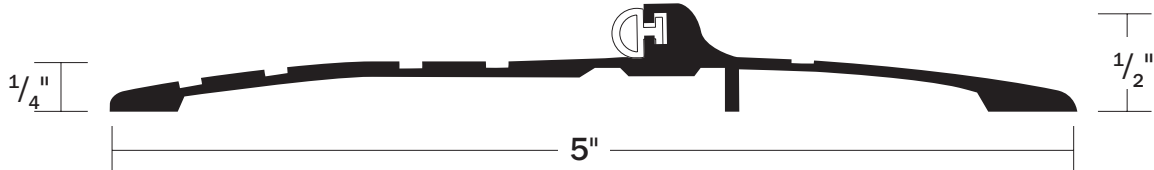
CP103 A, BR



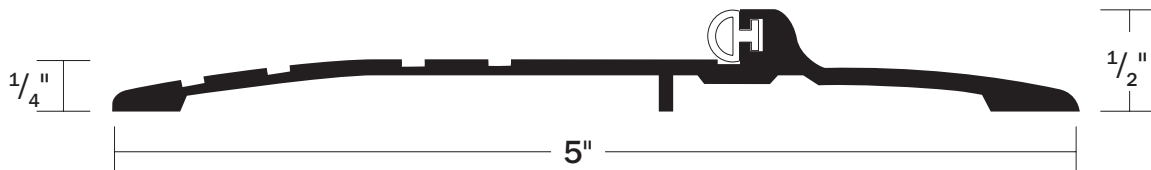
CP105



CP306



CP308 A, BR

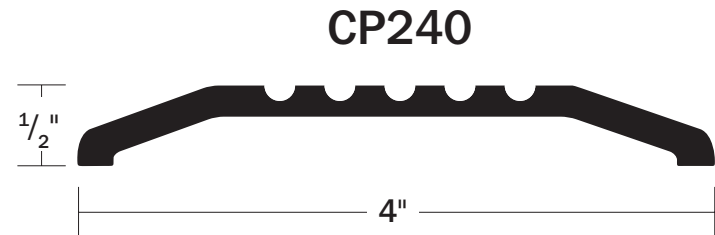
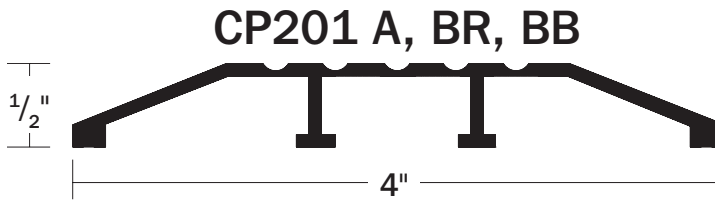
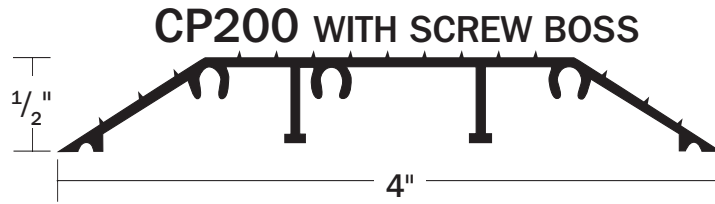


- All aluminum with vinyl bulb insert.
- Standard fastener: #10 x 1 1/2" FPHWS

P.O. Box 3819
 Longview, Texas 75606-37

(800) 687-1000
 903-758-5202 • Fax: 800-813-2126

ADA COMPLIANT SADDLE THRESHOLDS



- All aluminum.
- Standard fastener: #10 x 1¹/₂" FPHWS.

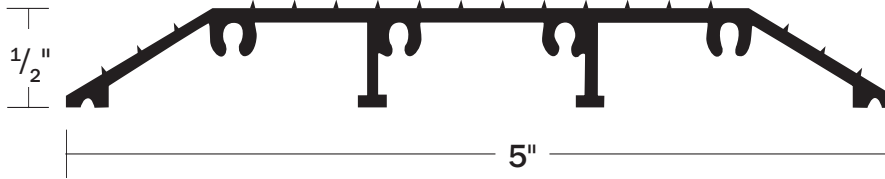
205 W. Old US HWY 80
White Oak, Texas 75693

(800) 687-1000
903-758-5202 • Fax: 800-813-2126

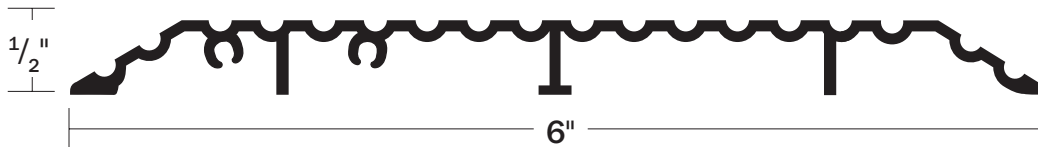
ADA COMPLIANT SADDLE THRESHOLDS



CP203 A, BR WITH SCREW BOSS



*CP204 A, BR



*CP207 A, BR



*Available with screw boss with 4 week lead time, orders from stock have no screw boss.

• All aluminum.

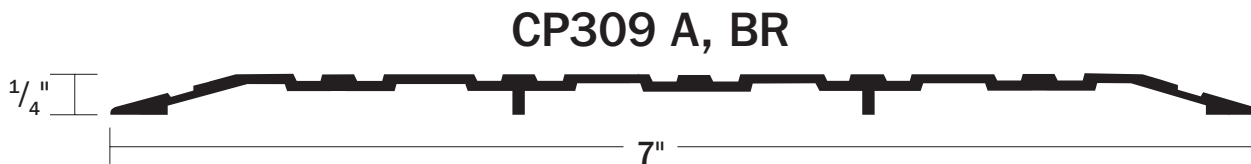
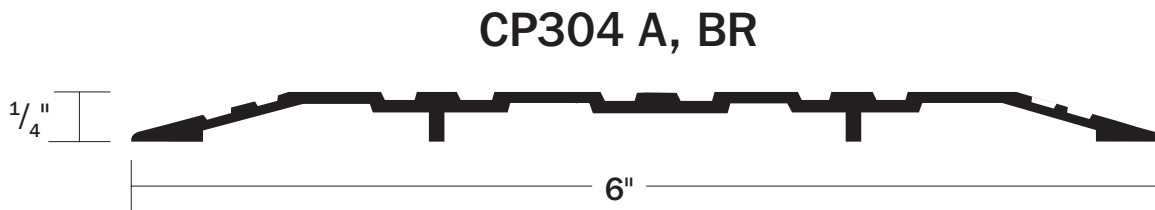
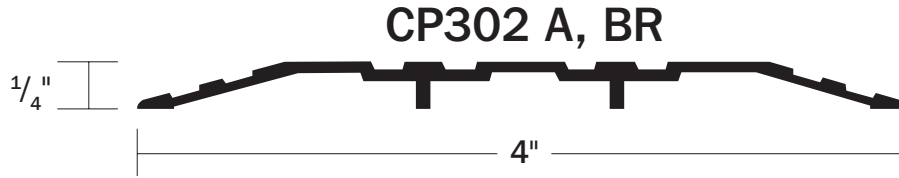
• Standard fastener: #10 x 1 1/2" FPHWS.

*These sills available in custom size. (screwed together)

P.O. Box 3819
Longview, Texas 75606-37

(800) 687-1000
903-758-5202 • Fax: 800-813-2126

ADA COMPLIANT SADDLE THRESHOLDS



- All aluminum.
- Standard fastener: #10 x 1 1/2" FPHWS.
- These sills available in custom size with welding modifications.

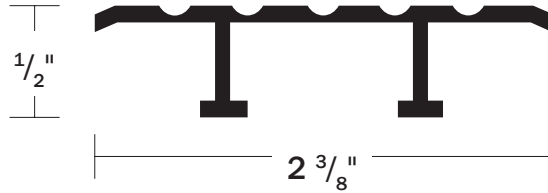
205 W. Old US HWY 80
White Oak, Texas 75693

(800) 687-1000
903-758-5202 • Fax: 800-813-2126

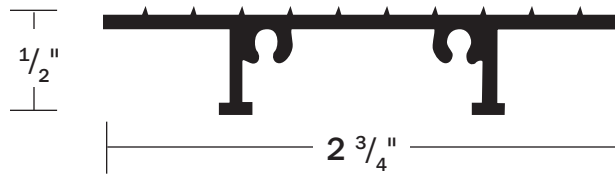
HARDWOOD FLOOR/CARPET THRESHOLDS



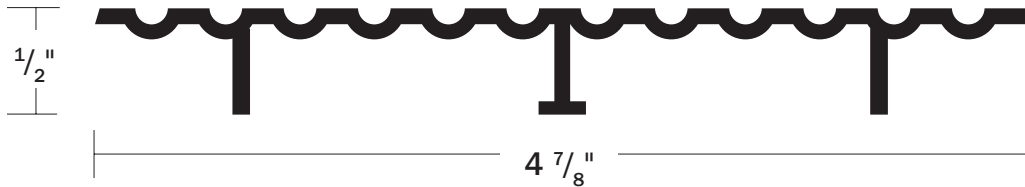
CP208 A, BR



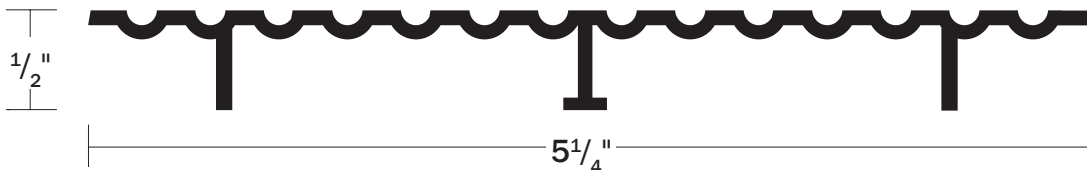
CP209 A, BR



CP210 A, BR



CP211 A, BR



- All aluminum.
- Standard fastener: #10 x 1 1/2" FPHWS.
- Cut to Customer Specifications

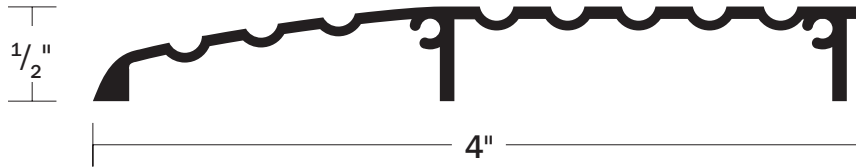
P.O. Box 3819
Longview, Texas 75606-37

(800) 687-1000
903-758-5202 • Fax: 800-813-2126

HANDICAP TILE THRESHOLDS



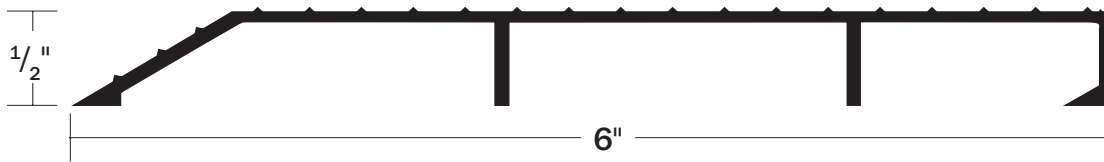
CP151
WITH SCREW BOSS



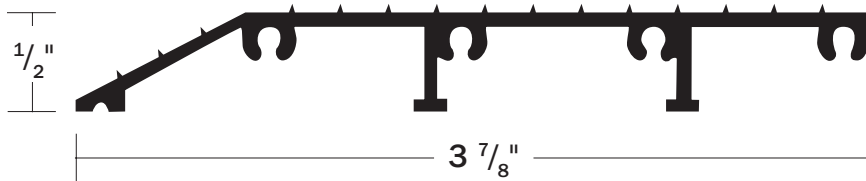
CP152
WITH SCREW BOSS



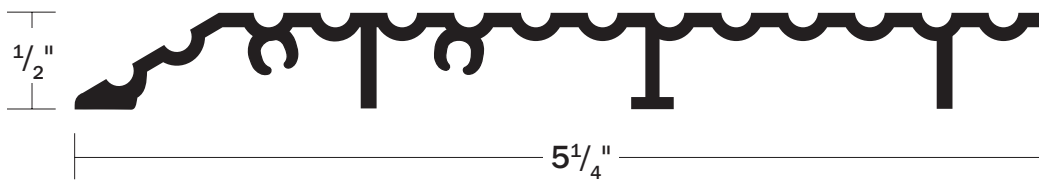
CP153



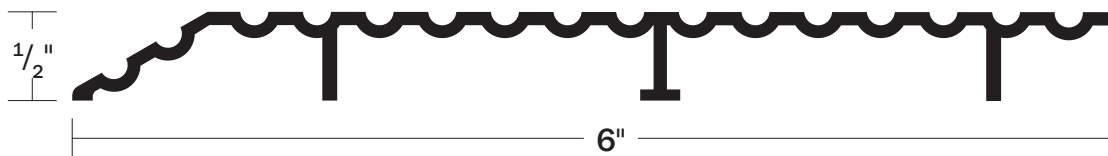
CP215 A, BR



CP216 A, BR



CP218 A, BR



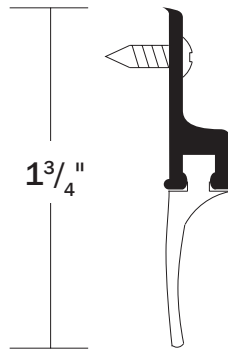
- All aluminum.
- Standard fastener: #10 x 1 1/2" FPHWS.

205 W. Old US HWY 80
White Oak, Texas 75693

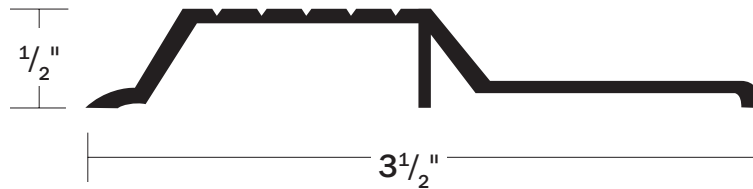
(800) 687-1000
903-758-5202 • Fax: 800-813-2126

BUMP SILLS

CP617
A, BR
GRAY OR BLACK
VINYL INSERT



CP219



***ADA compliant entry kit (CP219 with CP617 sweep)**

- *All aluminum.*
- *Standard fastener: #10 x 1 1/2" FPHWS.*

P.O. Box 3819
Longview, Texas 75606-37

(800) 687-1000
903-758-5202 • Fax: 800-813-2126

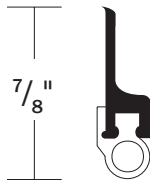
JAMB WEATHERSTRIP

RIGID JAMB WEATHERSTRIP

PUNCHED WITH SLOTTED HOLES FOR ADJUSTMENT

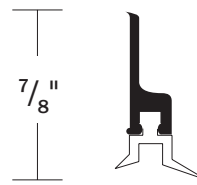
CP401

5/8"



CP402

5/8"

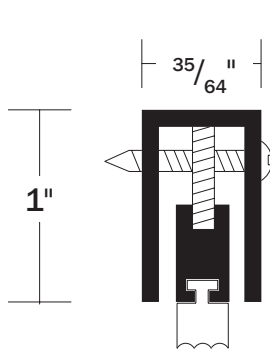


****CP401 & CP402 now available with double faced tape (DFT)****

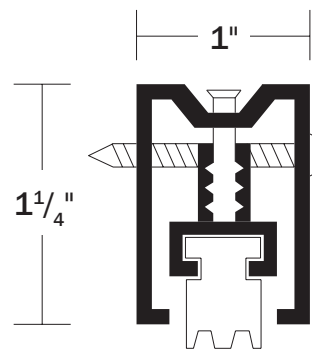
****Self tap screws available****

ADJUSTABLE SEALS

****SPECIAL ORDER****



CP415
A, BR



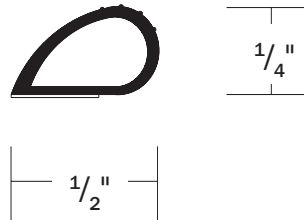
CP416
A, BR

• Standard fastener: #6 x 5/8" FPHWS

(800) 687-1000
903-758-5202 • Fax: 800-813-2126

205 W. Old US HWY 80
White Oak, Texas 75693

SMOKE GASKET



SG650

SANTOPRENE PRESSURE SENSITIVE DOOR GASKETING

SPECIAL PROPERTIES

- Begins compressing at $\frac{1}{4}$ " and can be compressed sufficiently to seal $\frac{1}{16}$ " openings; excellent resistance to compression set particularly at elevated temperatures and for extended periods of time.
 - Meets the requirements of NFPA 105-1993 "Installation of Smoke Control Door Assemblies."
 - SG650 is designed for tighter frames; demonstrates extremely low closing force.
 - Excellent flex fatigue and ozone resistance.
 - Extruded from thermoplastic elastomers.
 - Dielectric constant 2.44, dielectric strength 3.17mm, 19.6 kV/mm.
 - UL Yellow Card Listed (55 mil)
 - UL 94 Flame Rating 1.39mm: V-0
 - Limiting Oxygen index, %: 25
- **Available in 17', 19', 20', 21', 22' & Full Rolls.**
 - **Standard Color: Brown**
 - **Also available in White or Grey.**

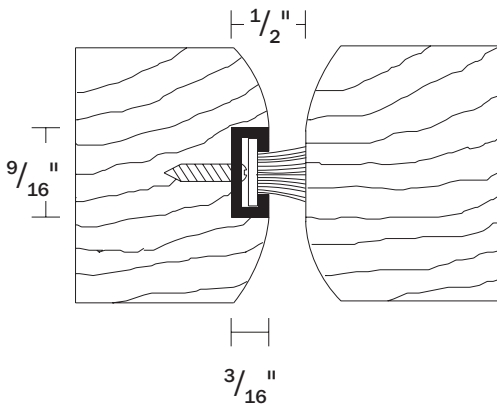
P.O. Box 3819
Longview, Texas 75606-37

(800) 687-1000
903-758-5202 • Fax: 800-813-2126

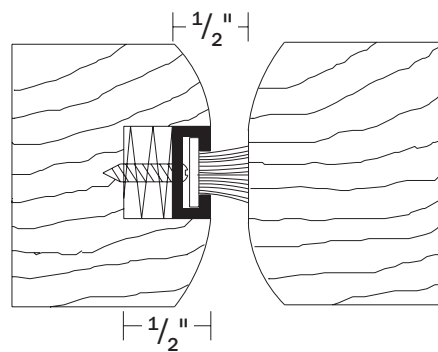
ASTRAGALS

MEETING STILES DOUBLE DOOR EQUIPMENT

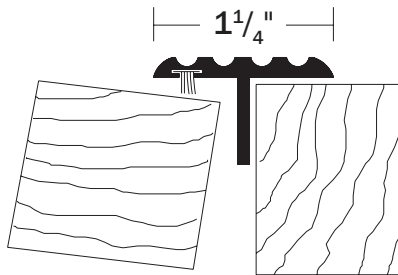
CP504AP
ALUMINUM WITH POLY PILE



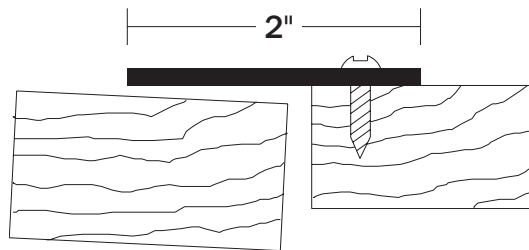
CP505AP
ALUMINUM WITH POLY PILE
ADJUSTABLE



CP510*
A, BR



CP512
FLAT ASTRAGAL A



† BG9FHG'5J5-@56@9: CF '7D) %\$.

GRAY VINYL (GV)



BLACK VINYL (BV)



POLY PILE



* SHOWN WITH POLY PILE *

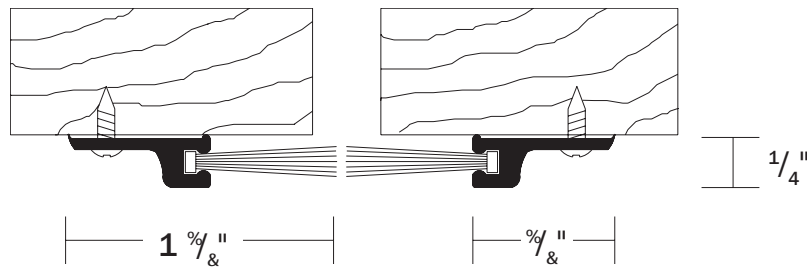
205 W. Old US HWY 80
White Oak, Texas 75693

(800) 687-1000
903-758-5202 • Fax: 800-813-2126

ASTRAGALS

MEETING STILES DOUBLE DOOR EQUIPMENT

CP621 SET
A, BR
7' & 8'



****Longer brush lengths available (special order)**

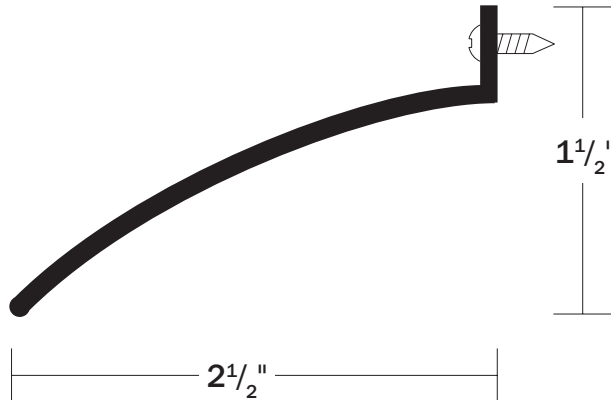
*** Some items require two parts, one for each door, and should be ordered accordingly.**

- Standard fastener: #6 x $\frac{5}{8}$ " FPHWS

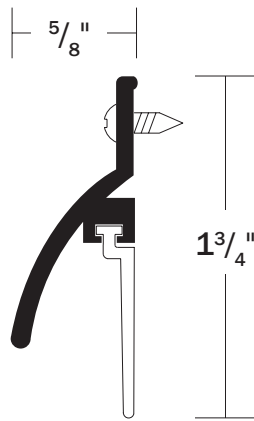
P.O. Box 3819
Longview, Texas 75606-37

(800) 687-1000
903-758-5202 • Fax: 800-813-2126

DRIP CAPS



DC610
A, BR

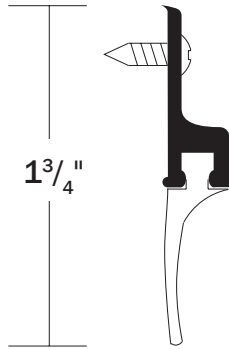


DC611
A, BR
GRAY OR BLACK VINYL
INSERT AVAILABLE

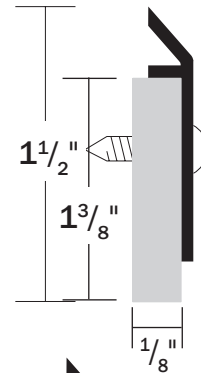
- Standard fastener: #6 x 5/8" FPHWS

DOOR BOTTOM SWEEPS

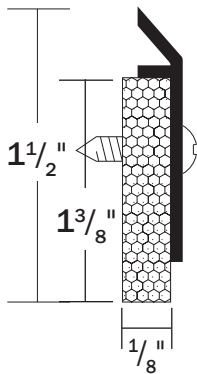
CP617
A, BR
GRAY OR BLACK
VINYL INSERT



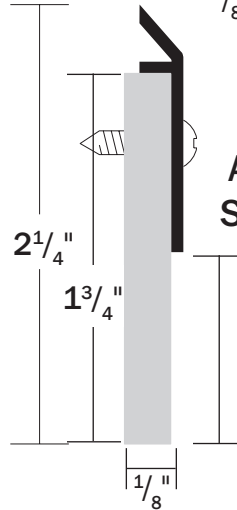
CP618
A, BR
ALUMINUM WITH
SOLID NEOPRENE



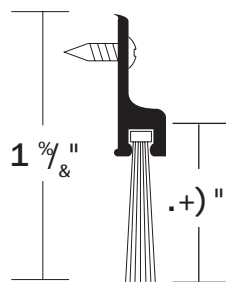
CP619
A, BR
ALUMINUM WITH
OPEN-CELL,
LOW TEMP. SOFT
NEOPRENE



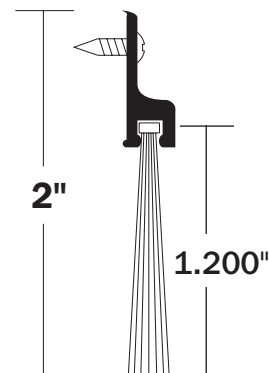
CP629
A, BR
ALUMINUM WITH
SOLID NEOPRENE



CP621
A, BR
ALUMINUM WITH
PILE BRUSH



CP631
A, BR
ALUMINUM WITH
PILE BRUSH



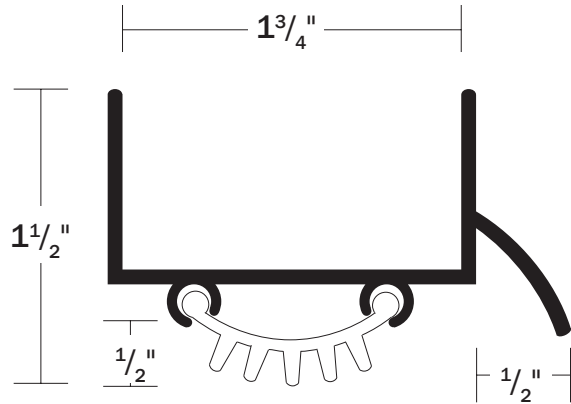
• *Brush length can be custom ordered.*

P.O. Box 3819
Longview, Texas 75606-37

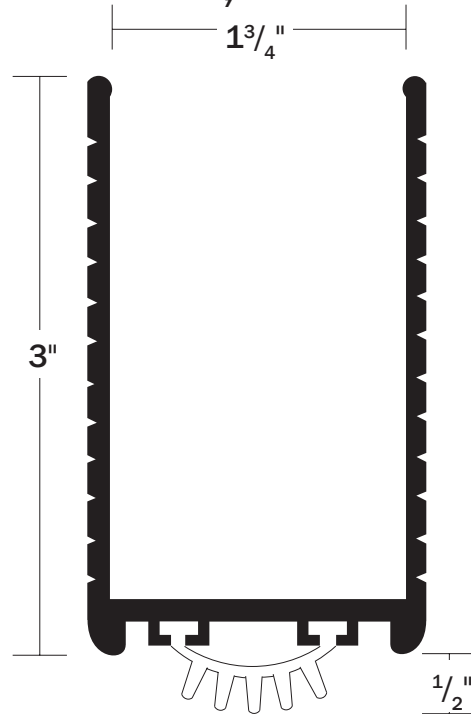
(800) 687-1000
903-758-5202 • Fax: 800-813-2126

DOOR BOTTOM SWEEPS

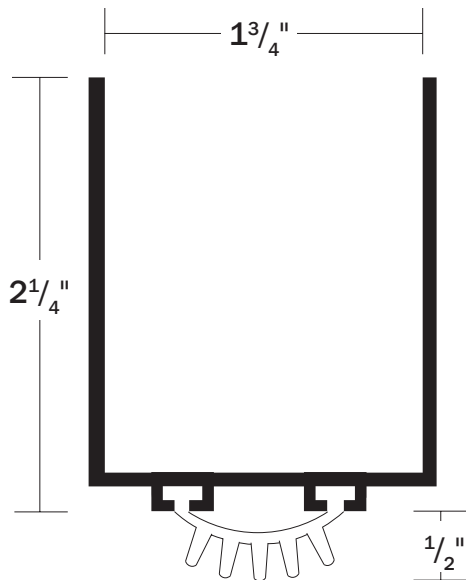
SW616
A, BR



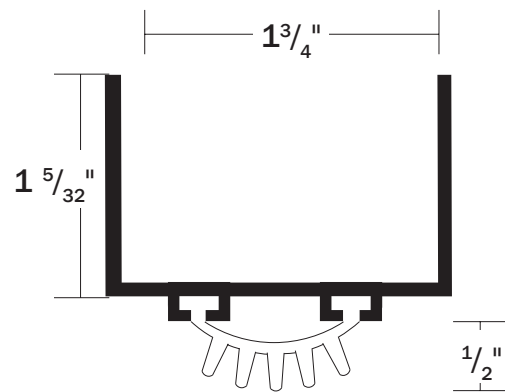
SW622
A, BR



SW623
A



SW625
A



- Aluminum sweeps for 1³/₄" doors.
- Available with gray vinyl inserts.

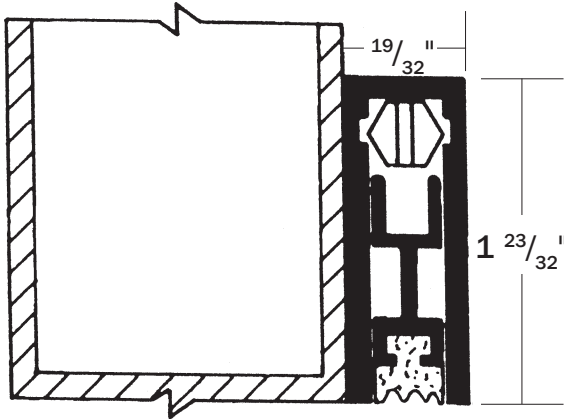
205 W. Old US HWY 80
White Oak, Texas 75693

(800) 687-1000
903-758-5202 • Fax: 800-813-2126

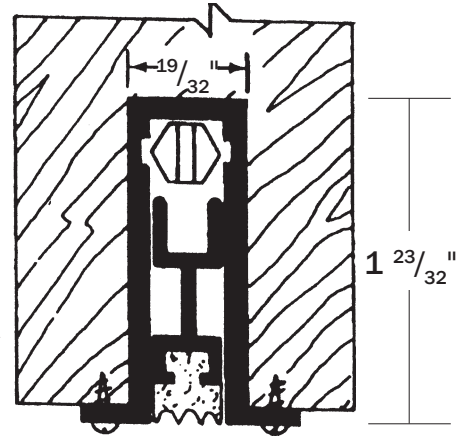
AUTOMATIC DOOR BOTTOMS

STANDARD

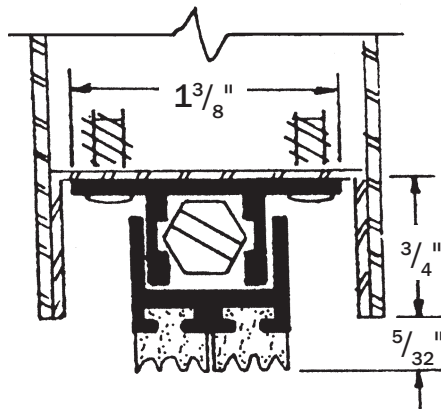
ADB602
A, BR



ADB603
A



ADB601



- Both full mortise & surface type door bottoms are reversible (non-handed furnished with closed cell sponge neoprene gaskets).
- Maximum drop $7/8$ ".
- May be trimmed 4" from lock end only, unless ADB is under 30".
- Fire rated: seals wood or steel doors for up to 3 hours.

P.O. Box 3819
Longview, Texas 75606-37

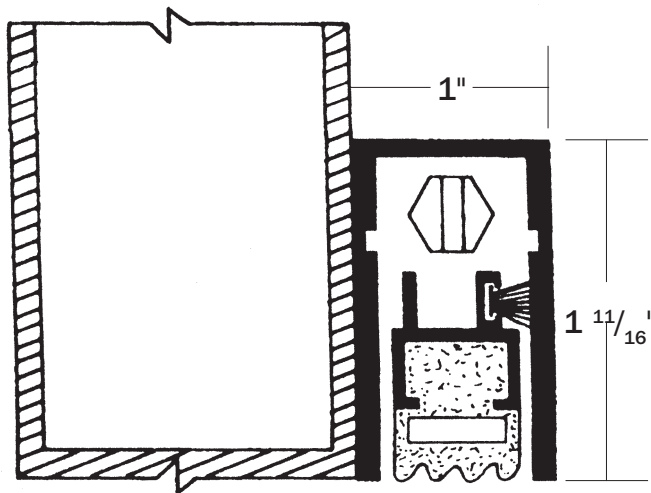
(800) 687-1000
903-758-5202 • Fax: 800-813-2126

AUTOMATIC DOOR BOTTOMS

HEAVY DUTY

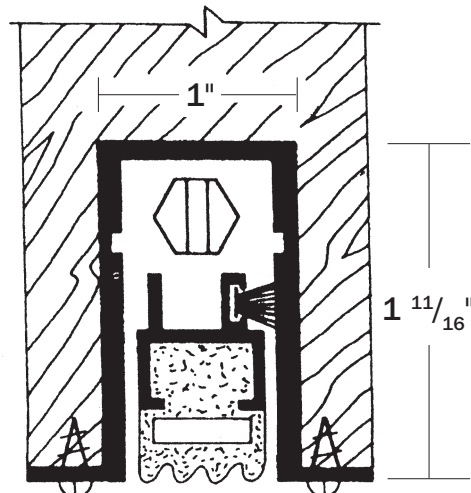
ADB607

A



ADB608

A



- Both full mortise & surface type door bottoms are reversible (non-handed furnished with closed cell sponge neoprene gaskets).
 - Maximum drop $7/8$ ".
- May be trimmed 4" from lock end only, unless ADB is under 30".
 - Fire rated: seals wood or steel doors for up to 3 hours.

INDEX BY PRODUCT NUMBER

| Product Number | Page | Product Number | Page |
|----------------------------------|--------|----------------------------------|------|
| ADB601 | 44 | ULFB634-US26D (FLUSH BOLT) | 20 |
| ADB602 | 44 | V-SW626 | 23 |
| ADB603 | 44 | V-SW627 | 23 |
| ADB607 | 45 | V-SW628 | 23 |
| ADB608 | 45 | V-SW630 | 23 |
| BOOT (FOAM) | 24 | WM01 | 4 |
| BY-PASS DOOR TRACK | 27 | WM02 | 4 |
| CP101 | 30 | WM03 | 5 |
| CP103 | 30 | WM04 | 9 |
| CP105 | 30 | WM06 | 5 |
| CP151 | 35 | WM09 | 9 |
| CP152 | 35 | WM10 | 10 |
| CP153 | 35 | WM11 | 10 |
| CP200 | 31 | WM12 | 11 |
| CP201 | 31 | WM13 | 11 |
| CP203 | 32 | WM14 | 9 |
| CP204 | 32 | WM15 | 9 |
| CP207 | 32 | WM16 | 12 |
| CP208 | 34 | WM18 | 12 |
| CP209 | 34 | WM25 | 5 |
| CP210 | 34 | WM36 | 13 |
| CP211 | 34 | WM37 | 14 |
| CP215 | 35 | WM40 | 13 |
| CP216 | 35 | WM41 | 14 |
| CP218 | 35 | WM42 | 15 |
| CP219 | 36 | WM43 | 15 |
| CP240 | 31 | WM44 | 16 |
| CP302 | 33 | WM45 | 16 |
| CP303 | 33 | WM46 | 17 |
| CP304 | 33 | WM47 | 17 |
| CP306 | 30 | WM57 | 18 |
| CP308 | 30 | WM58 | 18 |
| CP309 | 33 | WM61 | 19 |
| CP401 | 37 | WM62 | 19 |
| CP402 | 37 | WM63 | 19 |
| CP415 | 37 | WM64 | 19 |
| CP416 | 37 | WM65 | 19 |
| CP504AP | 39 | WM66 | 19 |
| CP505AP | 39 | WM67 | 19 |
| CP510 | 39 | WM204 | 6 |
| CP512 | 39 | WM207 | 6 |
| CP617 | 36, 42 | WM208 | 7 |
| CP618 | 42 | WM209 | 7 |
| CP619 | 42 | WM210 | 7 |
| CP621 | 40, 42 | WM211 | 7 |
| CP629 | 42 | WM215 | 8 |
| CP631 | 42 | WM216 | 8 |
| DC610 | 41 | WM218 | 8 |
| DC611 | 41 | WS651 | 21 |
| FBG6-US26 (FLUSH BOLT) | 20 | WS652 | 21 |
| FBG6-US26D (FLUSH BOLT) | 20 | WS655 | 21 |
| FBG6-US3 (FLUSH BOLT) | 20 | | |
| FBG6-EX12 (FLUSH BOLT) | 20 | | |
| FES (FOAM END SILL GASKET) | 24 | | |
| PVC SNAP ON SILL COVER | 26 | | |
| PVC TAPE SILL COVER | 25 | | |
| Q-LON CORNER SEAL | 24 | | |
| SG650 | 38 | | |
| SW616 | 43 | | |
| SW622 | 43 | | |
| SW623 | 43 | | |
| SW625 | 43 | | |

P.O. Box 150007
Longview, Texas 75615-0007

(800) 687-1000
903-759-5049 • Fax: 800-813-2126